



OUR PRODUCTS



POURING  
PERFECTION

# How we work...

We make our decisions, and particularly the difficult ones, based on four core beliefs:

<p>1</p> <p>Reacting to the market and our customer's evolving desires, we try always to meet all requests faster than customer expectations.</p> <p>dynamism</p>	<p>2</p> <p>Customers, Employees, the Environment and society; all deserve respect. We believe that.</p> <p>care</p>	<p>3</p> <p>It is best to be clear, direct and transparent in all dealings. It makes things simpler for all.</p> <p>honesty</p>	<p>4</p> <p>Quality in the cup, engineering excellence and precise water management are possible through a deep knowledge of what these things mean. An ongoing project.</p> <p>knowledge</p>
---	--	---	---

We believe in design. To design is to create and to innovate, which we love to do. We attempt to split our design output into three distinct sections

<p>1</p> <p>This is the core of our output – marrying technological and brewing excellence within the Marco range of products, always looking to the next generation</p> <p>strategic design</p>	<p>2</p> <p>We love to work directly with our customers to deliver specific machines for specific solutions. Unique solutions for unique needs.</p> <p>customer OEM solutions</p>	<p>3</p> <p>Through the Marco Über Project, we encourage our designers and engineers to experiment and question, play and learn. From this comes the future.</p> <p>playtime</p>	
--	---	--	--



A vehicle for promoting new ideas, almost a design company within a company, the Über Project develops linkages within the industry community to stretch and challenge our understanding of future possibilities and to fulfil as yet unknown needs and desires... a continuous work in progress.

## Über project

[www.marcobeveragesystems.com/uberproject](http://www.marcobeveragesystems.com/uberproject)  
[www.twitter.com/MarcoBevSystems](https://twitter.com/MarcoBevSystems)  
[www.facebook.com/MarcoBeverageSystems](https://www.facebook.com/MarcoBeverageSystems)  
[www.linkedin.com/company/marco-beverage-systems](https://www.linkedin.com/company/marco-beverage-systems)

# Contents



## Water Boilers

Ecoboiler Tap	1
Ecoboiler Push Button	2
Ecosmart	3
Ecoboiler Wall Mount	4
Ecoboiler Undercounter	5
Über Boiler	6
Pressure Boilers	7
Manual Fill	8

## Coffee Brewers

BRU	10
Shuttle Brewers	11
Qwikbrew	12
Qwikbrew Twin / Maxibrew Twin	13
Self Service Bulk Brew	14

## Other

Grinders	9
Water Filter Systems	15
>	
Machine Selection Chart	16
Customer Care / Spares & Service	17

[www.marcobeveragesystems.com](http://www.marcobeveragesystems.com)



Marco reserves the right to modify any features in the products contained in this catalogue without prior warning.

# Ecoboiler Tap

Tap dispense  
atmospheric water boilers

## Features

- Best in class energy efficiency
- 4 models with 5L to 30L capacity
- Compact footprint
- Plumbed into mains supply
- Excellent value for money
- Easy to descale and service
- Electronic control
- Made with 95% recyclable material



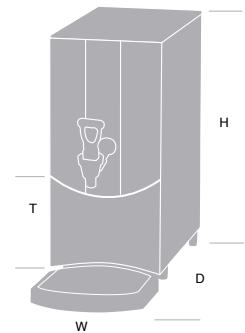
T10



T20



T5



## Options

Ideal for all catering locations –  
hotel and restaurant kitchens, coffee shops, canteens.

Ecoboiler Tap	Order Code	Immediate Draw Off	Output Per Hour	Cups Per Hour	Dimensions (DxWxHmm)	T(mm)	Power @ 230V	Weight (kg)	Packing (mm) Dimensions	Qty Pallet	Plumbing Requirements
<b>Ecoboiler T5</b>	1000660	5.0L	28.0L	156	505x210x465	185	2.8kW	10	550x560x290	18	3/4" BSP
<b>Ecoboiler T10</b>	1000661	10.0L	28.0L	156	505x210x590	185	2.8kW	12.5	290x690x560	18	3/4" BSP
<b>Ecoboiler T20</b>	1000662	20.0L	28.0L	156	566x240x690	185	2.8kW	19	600x350x840	10	3/4" BSP
<b>Ecoboiler T30</b>	1000663	30.0L	56.0L	311	570x300x690	185	5.6kW	22	600x380x840	10	3/4" BSP



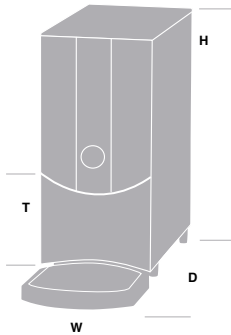
Push-button dispense  
atmospheric water boilers

## Features

- Best in class energy efficiency
- 5 & 10L options, others on request
- Compact footprint
- Plumbed into mains supply
- Excellent value for money
- Easy to descale and service
- Electronic control
- Made with over 95% recyclable materials
- Takes up to 40cl (14oz) cup – ‘to go drinks’

# Ecoboiler Push Button

## Options



PB5



PB10

Ideal for all self-service locations –  
grab and go applications, canteens, coffee shops, restaurants, offices, small sites.

Ecoboiler Push Button	Order Code	Immediate Draw Off	Output Per Hour	Cups Per Hour	Dimensions (DxWxHmm)	T(mm)	Power @ 230V	Weight (kg)	Packing (mm) Dimensions	Qty Pallet	Plumbing Requirements
<b>Ecoboiler PB5</b>	1000665	5.0L	28.0L	156	464x210x465	130	2.8kW	10	560x460x290	18	3/4" BSP
<b>Ecoboiler PB10</b>	1000666	10.0L	28.0L	156	464x210x590	130	2.8kW	12.5	560x740x550	18	3/4" BSP



# Ecosmart

Programmable push-button  
dispense atmospheric water boilers

## Features

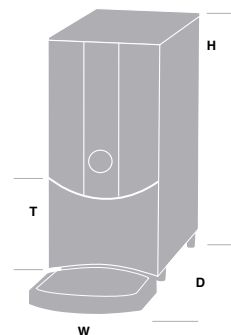
- Ecoboiler performance
- Programmable portion dispense
- Variable height options
- Operator adjustable temperature
- Programmable pulse feature
- Electronic control
- Easy to read LCD Panel
- Live temperature readout
- Filter change flag



PB10



PB10 Hi Deck



## Options

Ideal for catering or self-service applications with variable, transparent temperatures and user control.

Ecosmart	Order Code	Immediate Draw Off	Output Per Hour	Cups Per Hour	Dimensions (DxWxHmm)	T (mm)	Power @ 230V	Weight (kg)	Packing (mm) Dimensions	Qty Pallet	Plumbing Requirements
<b>Ecosmart PB10</b>	1000677	10.0L	28.0L	156	464x210x590	130	2.8kW	14.5	310x470x840	14	3/4" BSP
<b>Ecosmart PB10 Hi Deck</b>	1000678	10.0L	28.0L	156	464x210x675	215	2.8kW	14.5	310x470x840	14	3/4" BSP

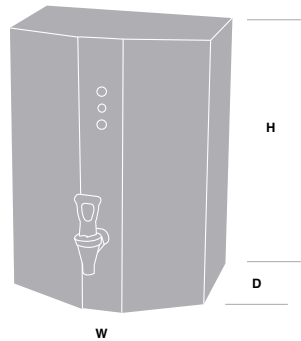
Tap or push-button dispense  
wall-mounted atmospheric water boilers

# Ecoboiler Wall- Mount

## Features

- Slim wall-mount hot water dispense
- Tap or push-button dispense
- Best in class energy efficiency
- 5L immediate draw off
- Plumbed into mains water supply
- Excellent value for money
- Easy to descale and service
- Electronic control and diagnostics
- Precise water temperature control

## Options



WMT5

Ideal for hospital and nursing home wards,  
office canteens, small sites.

Ecoboiler Wall-Mount	Order Code	Immediate Draw Off	Output Per Hour	Cups Per Hour	Dimensions (DxWxHmm)	Power @ 230V	Weight (kg)	Packing (mm) Dimensions	Qty Pallet	Plumbing Requirements
<b>Ecoboiler WMT5</b>	1000671	5.0L	24.0L	133	222x325x447	2.4kW	12	330x410x480	16	3/4" BSP



NSF/ANSI 4



# Ecoboiler Under-counter

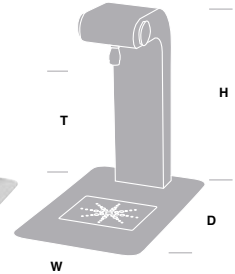
## Ecoboiler & Ecosmart undercounter units

### Features

- Undercounter water management system for space saving applications
- Versatile, modular framework
- Available with Ecoboiler or Ecosmart options
- 4L-75L volume options
- Single or dual dispense fonts
- Up to 3 fonts from a single boiler (45L-75L models)
- Portion dispense option



### Options



Ecosmart UC10

Ecosmart UC4

Ecoboiler UC45

Über font 2 palm button

Ideal for all catering locations – hotel and restaurant kitchens, coffee shops, staff restaurants, stadia, canteens.

Ecoboiler Undercounter	Order Code	Immediate Draw Off	Output Per Hour	Cups Per Hour	Dimensions (DxWxHmm)	Power @ 230V	Weight (kg)	Packing (mm) Dimensions	Qty Pallet	Plumbing Requirements
<b>Ecoboiler UC4</b>	1000740	4.0L	24.0L	133	394x135x585	2.4kW	11	400x150x570	10	3/4" BSP
<b>Ecoboiler UC10</b>	1000741	10.0L	28.0L	156	394x226x585	2.8kW	12.5	400x230x570	10	3/4" BSP
<b>Ecoboiler UC45</b>	1000744	45.0L	56.0L	311	495x420x650	5.6kW	22	500x420x690	4	3/4" BSP
<b>Ecoboiler UC75</b>	1000179	75.0L	84.0L	462	575x557x660	8.4kW 3ph	30	1200x800x1000	2	3/4" BSP
<b>Ecosmart UC4</b>	1000750	4.0L	24.0L	133	394x135x585	2.4kW	11	400x150x570	10	3/4" BSP
<b>Ecosmart UC10</b>	1000751	10.0L	28.0L	156	394x226x585	2.8kW	12.5	400x230x570	10	3/4" BSP
<b>Ecosmart UC45</b>	1000754	45.0L	56.0L	311	495x420x650	5.6kW	22	500x420x690	4	3/4" BSP

#### Fonts

**Tubular Font** 1000585 : Dimensions (mm) T135x D156x W123x H300

**Über Font 2 Palm Button** 1000821 **Über Font 2 Slim Button Head** 1000816 **Über Font 2 Slim Button Tile** 1000811 : Dimensions (mm) T270x D470x W250x H400

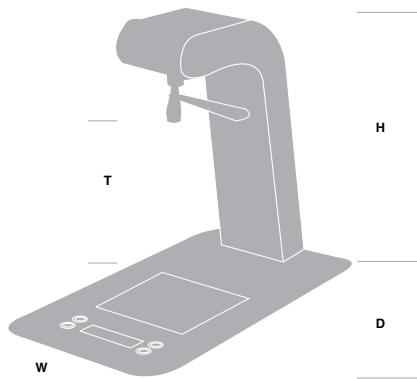
Precision brewing station for  
brew-by-brew excellence

# Über Boiler

## Features

Incorporates water drain, weighing scales,  
timer and high precision temperature delivery  
0.1°C accurate with patented APLogic™ software  
Variable manual control flow rate  
Joystick for directional flow  
For high precision applications

## Options



Über Boiler

Ideal for high precision manual  
brewing of speciality coffee and tea.

Über Boiler	Order Code	Immediate Draw Off	Output Per Hour	Cups Per Hour	Dimensions (mm) Over Counter	Dimensions (mm) Under Counter	Power @ 230V T(mm)	Weight (kg)	Packing (mm) Dimensions	Qty Pallet	Plumbing Requirements	
Über Boiler	1000680	6L	28.0L	156	*470x250x400	*405x190x400	270	2.8kW	24	570x340x1000	5	3/4" BSP

\*(DxWxHmm)

# Pressure Boilers

## Pressure boilers

## Features

- Compact design with high volume output
- Hot water and steam delivery
- Stainless steel finish
- Electronic controls
- Counter top and under counter versions
- Under counter fonts supplied as standard
- Capacity range 11L-72L
- Choice of power options available

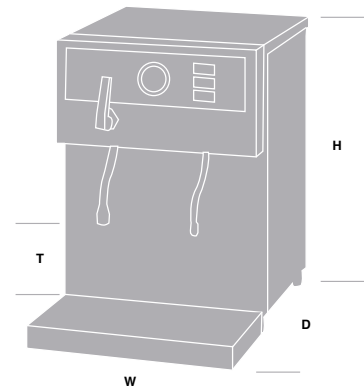


Major 900 counter top

## Options



Font



Ideal for high volume locations, fast & efficient,  
e.g. kitchens, tea specialists and motorway service stations.

Pressure Boilers	Order Code	Immediate Draw Off	Output Per Hour	Cups Per Hour	Dimensions (DxWxHmm)	T(mm)	Power @ 230V	Weight (kg)	Packing (mm) Dimensions	Qty Pallet	Plumbing Requirements
Mini 1	1000180	11.2L	25.2L	140	520x360x540	140	2.8kW	30	450x450x800	1	3/4" BSP
Mini 2	1000200	11.8L	38.7L	215	520x360x540	140	4.3kW	30	450x450x800	1	3/4" BSP
Major 600 counter top	1000220	48L	54L	300	430x440x680	240	4.3kW	37	540x580x800	1	3/4" BSP
Major 900 under counter	1000260	57.5L	75.6L	420	460x470x700	200	8.4kW 3ph	37	540x580x800	1	3/4" BSP
Major 900 counter top	1000230	57.5L	75.6L	600	600x440x650	240	8.4kW 3ph	37	540x580x800	1	3/4" BSP
Major 1200 under counter	1000270	71.7L	108L	600	460x470x700	200	12kW 3ph	37	540x580x800	1	3/4" BSP
Under counter font	1000585				305x370x500	200		2			

---

## Atmospheric water boilers

---

# Manual Fill

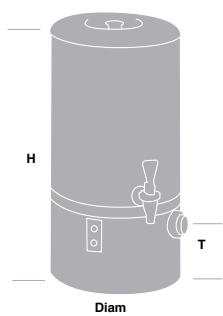
## Features

---

- Polished stainless steel
- Thermostatic control with automatic cut off
- Safety Non-drip lid
- Easy to clean and descale
- 10L, 20L & 27L capacity options
- Stainless steel quick boil element

## Options

---



10L

27L

20L

---

Ideal for locations with no plumbed water and sites for temporary use, e.g. outdoor catering, occasional use & building sites.

---

Manual Fill	Order Code	Capacity	Diam (mm)	H(mm)	T(mm)	Power @ 230V	Weight (kg)	Packing (mm) Dimensions	Qty Pallet
Manual Fill 10L	10020	10L	230	495	170	3kW	5	290x290x500	48
Manual Fill 20L	10021	20L	290	570	170	3kW	7	340x340x580	36
Manual Fill 27L	10022	27L	400	545	170	3kW	9	440x440x550	16

# Grinders

Best in class professional  
and semi professional coffee grinders

## Features

The Über Grinder allows brew by brew grinding with notable design features specifically aimed at optimizing each brew

Customised grinding burrs to ensure optimum extraction

Easy to clean and maintain

Easy to calibrate

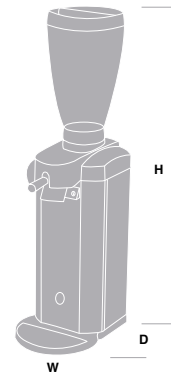
Flat horizontal burrs for uniform, cool grinding to protect coffee



Über Grinder



Baratza Encore



The ideal partner to Marco equipment when grind on demand is required for fresher brews.

Grinders	Order Code	Dimensions (DxWxHmm)	Weight (kg)	Packing (mm) Dimensions	Qty Pallet
Über Grinder	1000685	295x207x633	17.5	670x380x330	12
Baratza Encore	90099	152x127x356	4	180x200x370	120
Baratza Esatto	90075	311x133x26	1.65	155x100x370	200

**Energy efficient pour and serve coffee machine**

# BRU

## Features

- Professional grade brewer
- Manual and automatic fill options
- Improved sprayhead performance
- Ease of service and refurb
- Simple set up
- Robust construction
- Jug and flask variants

## Options



BRU F60M



BRU F45M

Ideal for high quality coffee for all catering locations – coffee shop, canteen, conference, offices and business locations.



	Order Code	Brew Capacity (L)	Dimensions (DxWxHmm)	Power @230V (kW)	Weight (kg)	Packaging (DxWxHmm)	Qty per Pallet	Plumbing Requirements
<b>F45M Jug Manual Fill</b>	1000900	1.8L	360x211x444	2.4	9kg	600x250x507	24	
<b>F45A Jug Auto Fill</b>	1000901	1.8L	360x211x444	2.4	9kg	600x250x507	24	¾" BSP
<b>F60M Flask Manual Fill</b>	1000902	2.2L	360x211x598	2.2	8kg	420x250x657	20	
<b>F60A Flask Auto Fill</b>	1000903	2.2L	360x211x598	2.2	8kg	420x250x657	20	¾" BSP
<b>Airpot 2.2L</b>	1700179				2kg	370x190x190	90	

# Shuttle Brewers

Filter coffee machine /  
insulated urn

## Features

- Delivers coffee directly into portable urn
- Excellence in coffee
- Attractive design for prestigious locations
- Stainless steel construction
- Variable batch volumes
- Basket safety lock during brewing
- Easy to operate
- Pulse brew options
- Pre-infusion options
- Vacuum insulated Urn

## Options



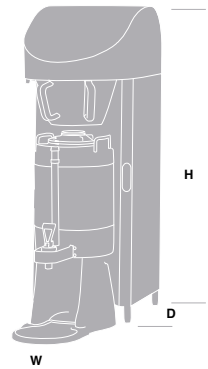
Filtro Shuttle



Mini Filtro Shuttle



Urn 6.0L



Ideal for medium to high volume coffee requirements,  
e.g. hotels, restaurants and canteens.

Shuttle Brewers	Order Code	Full Brew	Cups Per Hour	Dimensions (DxWxHmm)	Power @ 230V	Weight (kg)	Packing (mm) Dimensions	Qty Pallet	Plumbing Requirements
<b>Shuttle Brewer 5.6</b>	1000650	5.5L	189	510x300x925	5.6kW	24.0	1060x620x440	3	3/4" BSP
<b>Shuttle Brewer 2.8</b>	1000651	5.5L	189	510x300x925	2.8kW	24.0	1060x620x440	3	3/4" BSP
<b>Mini Shuttle Brewer 5.6</b>	1000655	5.5L	189	510x300x690	5.6kW	17.5	620x440x800	6	3/4" BSP
<b>Mini Shuttle Brewer 2.8</b>	1000656	5.5L	189	510x300x690	2.8kW	17.5	620x440x800	6	3/4" BSP
<b>Shuttle 6.0L</b>	1700178			420x245x570		7.0	640x310x440	16	

### Accessories

**Filter Papers** 8000150 (case of 500) **Urn Cleanser** 8000240

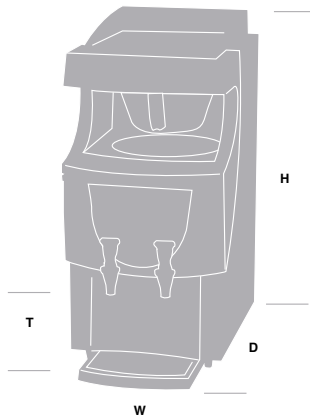
**Filter coffee machine /  
bulk brew**

# Qwikbrew

## Features

- Boiler-brewer range
- Excellence in coffee
- Self-service options available
- Attractive design for prestigious locations
- Stainless steel construction
- Half and full brew feature
- Separate hot water and coffee taps
- Easy to operate
- Cost effective – maximum payback
- Push Button version available
- Alternative power options available on request
- Insulated urn an option upon request
- 3 volume brew options

## Options



Push Button Qwikbrew



Qwikbrew

Ideal for high volume coffee requirements, e.g. hotels, restaurants and staff restaurants.



Qwikbrew	Order Code	Immediate Draw Off	Water		Coffee		Dimensions (DxWxHmm)	T(mm)	Power @230V	Weight (kg)	Packing (mm) Dimensions	Qty Pallet	Plumbing Requirements
			Output Per Hour	Cups Per Hour	Full Brew	Cups Per Hour							
Qwikbrew	1000379	5.7L	28.0L	156	5.5L	189	575x362x760	170	2.8kW	31	870x700x460	6	3/4" BSP
Qwikbrew 6	1000382	5.7L	56.0L	311	5.5L	189	575x362x760	170	5.6kW	31	870x700x460	6	3/4" BSP

**Accessories**

- Filter Papers** 8000150 (Case of 500)
- Urn Cleanser** 8000240



# Qwikbrew Twin /Maxibrew Twin

Filter coffee machine /  
bulk brew

## Features

Boiler-brewer range  
Excellence in coffee  
Stainless steel construction  
Half and full brew feature  
Separate hot water and coffee taps  
Self-service options available  
2 coffee urns  
2 full brews can  
run simultaneously  
Attractive design for  
prestigious locations  
Alternative power  
options available on request

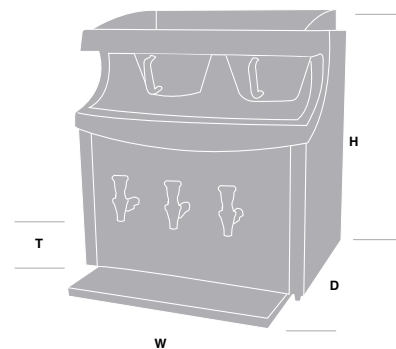
## Options



Maxibrew Twin



Qwikbrew Twin



Ideal for very high volume coffee requirements,  
e.g. hotels, banqueting and large canteens.



Qwikbrew	Order Code	Water			Coffee			Power @230V	Weight (kg)	Packing (mm) Dimensions	Qty Pallet	Plumbing Requirements	
		Immediate Draw Off	Output Per Hour	Cups Per Hour	Full Brew	Cups Per Hour	Dimensions (DxWxHmm)						T(mm)
<b>Qwikbrew Twin</b>	1000495	6.8L	56.0L	311	6L x 2	377	620x650x744	170	5.6kW	40	750x550x850	1	3/4" BSP
<b>Maxibrew Twin</b>	1000465	8.5L	84.0L	467	12L x 2	529	630x762x867	170	8.4kW 3ph	50	850x850x650	1	3/4" BSP
<b>Maxibrew Twin front delivery push button</b>	1000469	8.5L	84.0L	467	12L x 2	529	480x762x867	150	8.4kW 3ph	50	850x850x650	1	3/4" BSP

• Hot water & coffee taps can be used simultaneously; will affect maximum output of each. • Two full brews can be run simultaneously.

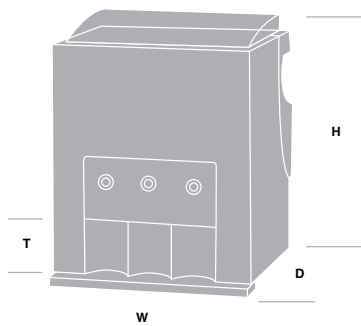
**Bulk brew coffee machines for self-serve applications**

**Features**

- Boiler brewers for high volume output
- Excellence in coffee
- Attractive design for prestigious locations
- Health and Safety conscious
- Stainless steel construction
- Half and full brew feature
- Easy to operate
- Cost effective

# Self Service Bulk Brew

**Options**



Qwikbrew Twin Rear Delivery



Qwikbrew Rear Delivery

Ideal for very high volume self serve coffee requirements, e.g. hotels, banqueting and large canteens.



Self Service Bulk Brew	Order Code	Water			Coffee		Dimensions (DxWxHmm)	T(mm)	Power @230V	Weight (kg)	Packing (mm) Dimensions	Qty Pallet	Plumbing Requirements
		Immediate Draw Off	Output Per Hour	Cups Per Hour	Full Brew	Cups Per Hour							
<b>Qwikbrew rear delivery push button</b>	1000384	5.7L	28.0L	156	5.5L	139	668x362x760	150	2.8kW	31	870x700x460	6	3/4" BSP
<b>Qwikbrew twin rear delivery push button</b>	1000492	6.8L	56.0L	311	5.5Lx2	377	695x650x744	150	5.6kW	40	750x550x850	1	3/4" BSP
<b>Maxibrew twin rear delivery push button</b>	1000481	8.5L	84.0L	467	11.5Lx2	529	735x762x855	150	8.4kW 3ph	50	850x850x650	1	3/4" BSP

- Hot water & coffee taps can be used simultaneously; will affect maximum output of each.
- Two full brews can be run simultaneously.
- Front delivery self-service options are available and detailed on Qwikbrew and Qwikbrew Twin specification pages.

# Water Filter Systems

Marco is proud to partner with one of Europe's leading suppliers of water filtration systems.

Bestmax by water+more specialise in top technological solutions to optimise water products in the catering sector.

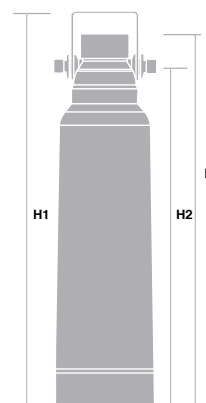
The technology used in the Bestmax range removes surplus and destructive limescale from tap water and transforms it into optimal water for coffee or tea.

1. Determine the Carbonate Hardness	2. By-pass Setting	3. Filter Capacity In Litres			
Carbonate Hardness in °KH*	Setting	S	M	L	XL
8	3	1025	3656	5150	7500
10	3	820	2925	4120	6000
12	2	620	2212	3115	4537
15	2	496	1769	2492	3630



## Features

- 4-step filtration for constant water quality
- Including filtration of the bypass water
- Can be used horizontally and vertically
- Flexible – one connecting filter head for all product sizes
- Quick and easy filter change
- Low-cost operation
- Service-friendly due to short rinsing times



**bestmax**  
best water technology

Bestmax

The partner of choice to maintain correct water quality for excellence in brewing.

Filters	Order Code	System	Replacement Cartridge	Packing (mm) Dimensions	(H1mm)	(H2mm)
Filter Besttaste X Kit	8000710	Carbon/Membrane	8000711	345	370	340
Filter Bestmax S Kit	8000720	Carbon/Resin	8000721	345	370	340
Filter Bestmax M Kit	8000730	Carbon/Resin	8000731	465	490	460
Filter Bestmax L Kit	8000740	Carbon/Resin	8000741	505	530	500
Filter Bestmax XL Kit	8000750	Carbon/Resin	8000751	505	530	500
Water testing kit	8000550					

## 1 Which Water Boiler?

To choose the appropriate machine for your application, follow the simple steps below. Alternatively call our customer service team on the number below. They will be happy to advise you.

Ireland +353 (0)1 295 2674 UK +44 (0)1933 666 488  
Europe +31 (0)24 3782 883

- 2 Using the selection chart, pick the product which best meets your needs by answering these questions:

Question	Relevant Column
Do I want a plumbed-in unit?	Plumbed
Do I want 100°C water and steam?	Steam
Do I want to plug into an existing socket?	Single Phase 13amp
How many cups do I want at my busiest?	Immediate Draw-Off Cups
How many cups do I want on an ongoing basis?	Cups per Hour

# Machine Selection Chart

## Which coffee machine?

Using the selection chart below, pick the product which best meets your needs by answering the following questions:

Question	Relevant Column
Do I have mains water present?	Plumbed
Do I want to plug into an existing socket?	Single Phase 13amp
How many cups do I want at my busiest?	Full Brew Cups
Do I want water and coffee?	Hot Water

## Water Boiler Selection Chart

	Page	Hot water	Plumbed	Steam	Single Phase 13amp Standard Plugtop	Single Phase 30A Isolator	3 Phase Supply	Immediate draw off Litres	Immediate draw off cups	150 cups per hour	300 cups per hour	400 cups per hour	>600 cups per hour
Ecoboiler T5**	1	•	•		•			5	28	•			
Ecoboiler T10**	1	•	•		•			10	55	•			
Ecoboiler T20	1	•	•		•			20	110	•			
Ecoboiler T30	1	•	•			•		30	165		•		
Ecoboiler PB5 **	2	•	•		•			5	28	•			
Ecoboiler PB10 **	2	•	•		•			10	55	•			
Ecosmart PB10	3	•	•		•			10	55	•			
Ecoboiler WMT5 *	4	•	•				•	5	28	•			
Ecoboiler UC4	5	•	•		•			4	22	•			
Ecoboiler UC10	5	•	•		•		•	10	55	•			
Ecoboiler UC45	5	•	•			•	•	45	248		•		
Ecoboiler UC75	5	•	•		•			75	417				•
Über Boiler	6	•	•		•			6	34	•			
Mini 1	7	•	•	•	•			11.2	62	•			
Mini 2	7	•	•	•		•		11.8	66	•			
Major 900 Counter Top	7	•	•	•			•	57.5	319			•	
Major 900 Under Counter	7	•	•	•			•	57.5	319			•	
Major 1200 Under Counter	7	•	•	•			•	71.7	398				•

\*Hard wired - no plug top \*\*Manual fill option Note - Individual data sheets and Selection chart for other Marco products (Aquatrus, Libra, etc) are available on the Marco website [www.marcoheating.com](http://www.marcoheating.com)

## Coffee Machine Selection Chart

	Page	Coffee	Plumbed	Hot Water	Single Phase 13amp Standard Plugtop	Single Phase 30A Isolator	3 Phase	Coffee Output						
								Full Brew Litres	Full Brew cups per hour	150 cups per hour	200 cups per hour	>300 cups per hour	>500 cups per hour	
F45M Jug Manual Fill	10	•			•			1.8	85					
F60M Flask Manual Fill	10	•			•			2.2	85					
F45A Jug Auto Fill	10	•	•		•			1.8	85					
F60A Flask Auto Fill	10	•	•		•			2.2	85					
Shuttle Brewers 2.8kW	11	•	•		•	•		5.5	189		•			
Shuttle Brewers 5.6kW	11	•	•		•	•		5.5	189		•			
Qwikbrew	12	•	•	•	•			5.5	139	•				
Qwikbrew 6	12	•	•	•	•	•		5.5	189		•			
Qwikbrew Twin	13	•	•	•	•	•		5.5x2	377			•		
Maxibrew Twin	13	•	•	•	•	•	•	11.5x2	529				•	

Definitions: 1. Immediate Draw Off: The volume of water in a full tank plus the water that enters the unit during dispense when connected to a normal mains supply.  
2. Hourly Output: The minimum volume that can be delivered on an hourly basis.

NOTE: Self Service Bulk Brew data is identical to standard versions of Qwikbrew, Qwikbrew Twin and Maxibrew Twin.